

Speaker Model:AT650C--Woofer

Cone material: Synthetic metal

DCR Impedance: 4.0 Ω

Maximum power Input: 40 W

Frequency Range: 60-6000 Hz

Sensitivity 1W/1M: 89dB

Qms:4.08

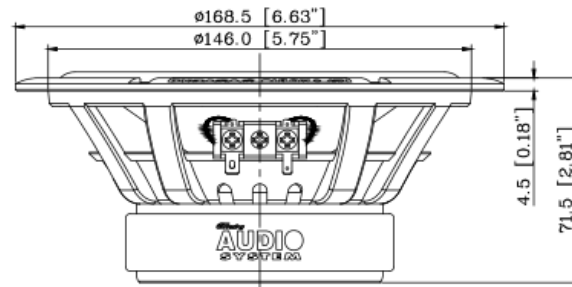
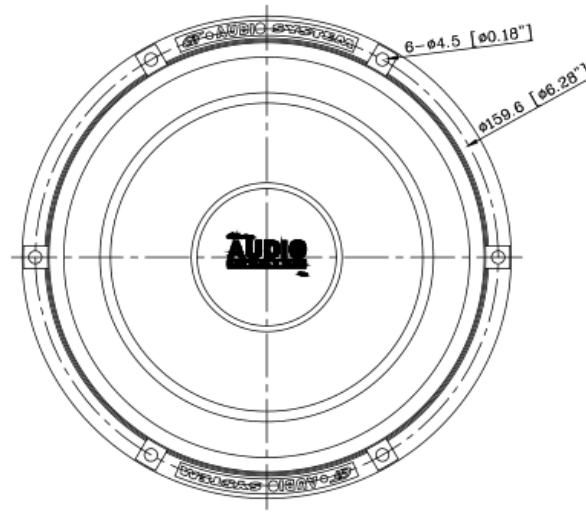
Qes:0.67

Qts:0.57

Weight: 1.18(KG)

Mounting Depth: 68 mm

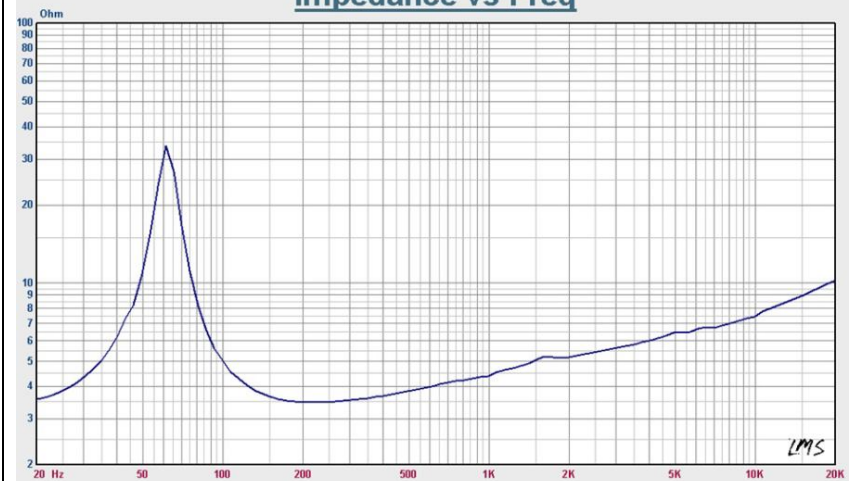
Mounting Diameter: 147 mm



SPL vs Freq



Impedance vs Freq



Speaker Model:AT650C-Tweeter

Cone material:Black Silk

DCR Impedance: 4.0 Ω

Maximum power Input: 25 W

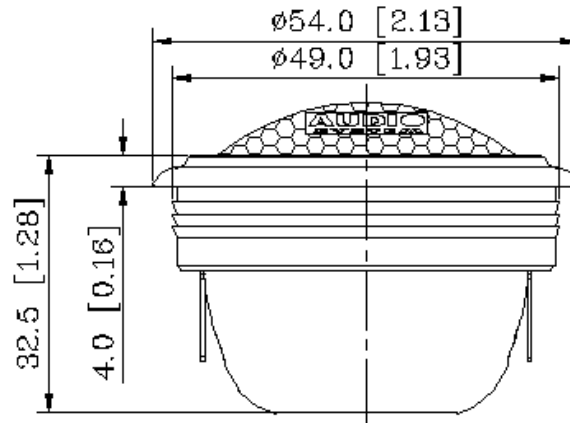
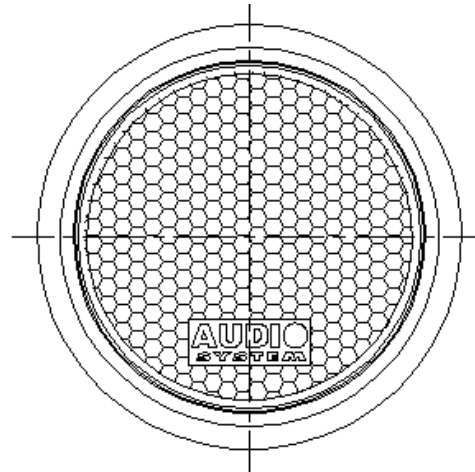
Frequency Range: 700-22000 Hz

Sensitivity 1W/1M: 90dB

Weight: 0.11(KG)

Mounting Depth: 31 mm

Mounting Diameter:49 mm



SPL vs Freq



Impedance vs Freq

